

EcoGun AS AUTO Uni

Automatic Air Spray Gun

Description

The **EcoGun AS AUTO Uni** is a compact light weight spray gun suitable for simple tasks as water and oil applications for cooling purposes or other similar needs. It is most commonly used in the glass or heavy

machining industry. Its simple design is set up with only one air inlet which provides simultaneous on/off control and atomization at the same time.



Customer Benefits

- » Simple and robust design
- » Flat or round spray pattern adjusted by air cap position
- » Single air inlet
- » Stainless steel body

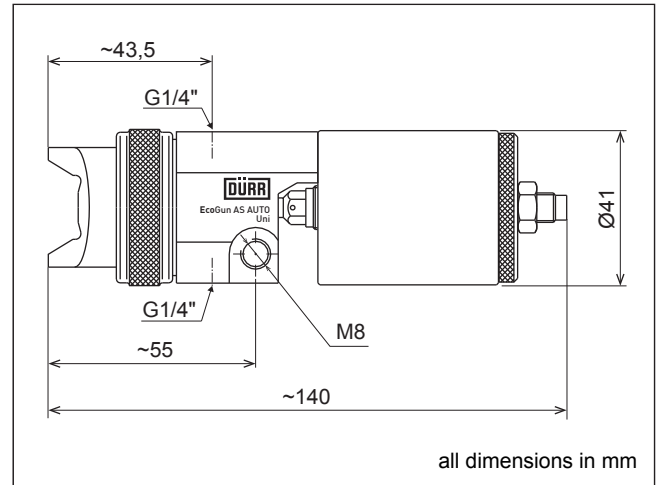


EcoGun AS AUTO Uni N36210011V

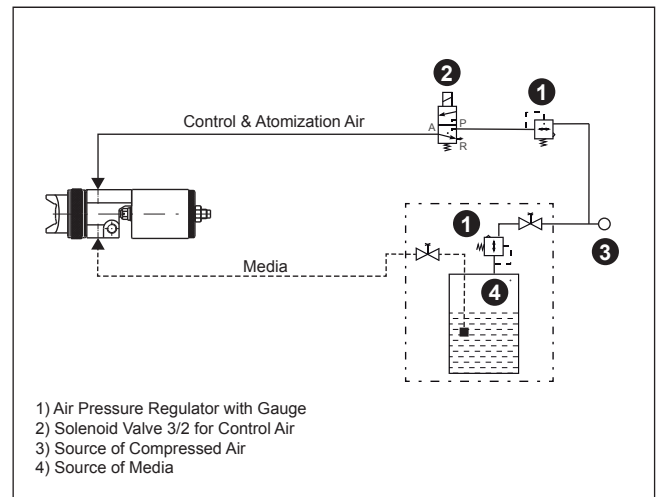
Specification

| | |
|-------------------------------------|--------------------------------------|
| Weight | 800 g |
| Material Gun Body | Stainless steel |
| Parts contacted by media | Stainless steel |
| Diameter Nozzles | 1,0 mm |
| Connector Fluid | G 1/4" |
| Connector Air | G 1/4" |
| Switching Frequency max. | 200/min (3,33 Hz) |
| Recom. Air Pressure | 3,0 bar (44 psi) |
| Air Consump. @recom. Air Press min. | 130 Nl/min (4,6 sft ³ /m) |
| Air Consump. @recom. Air Press max. | 150 Nl/min (5,3 sft ³ /m) |
| Pilot Air Pressure max. | 6,0 bar (87 psi) |
| Atomizing Air Press. max. | 6,0 bar (87 psi) |
| Fluid Pressure max. | 6,0 bar (87 psi) |
| Operating temperature min | 5 °C (41 °F) |
| Operating temperature max | 50 °C (122 °F) |
| ATEX Marking | Ex II 2G T6 X |

Dimensions



Connection Scheme



Accessories

| PART. NO | DESCRIPTION |
|-----------|---------------------------------|
| N24140005 | EcoPump AD 72 8,3 Ace PTFE 1/4" |
| N08140002 | Pressure Pot 10 A |
| N08140001 | Pressure Pot 10 |
| N26010068 | EcoFlow LPF M 9 2,5 G1/8" SST |
| | |
| | |
| | |
| | |
| | |
| | |

Further Information

Final weight depending on configuration.

If you require further information please do not hesitate to contact our Sales Team at +49 7142 78-0 or Industrial.Products@durr.com